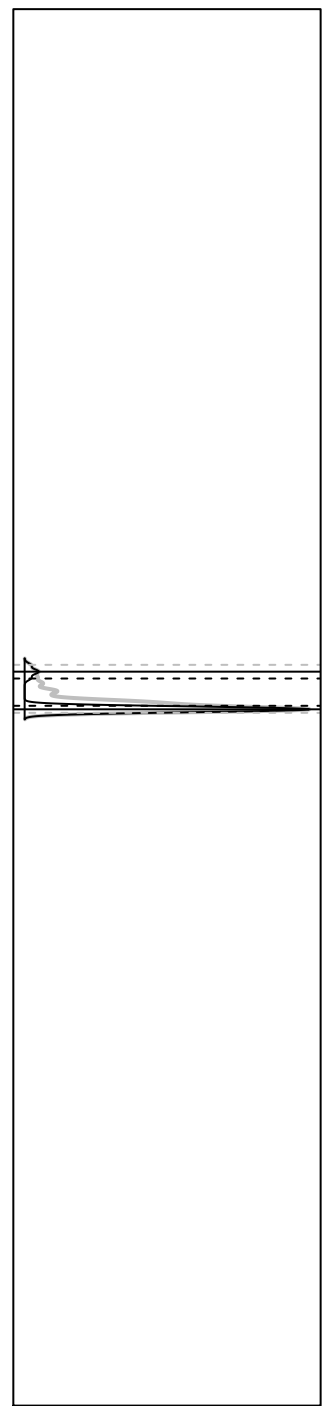
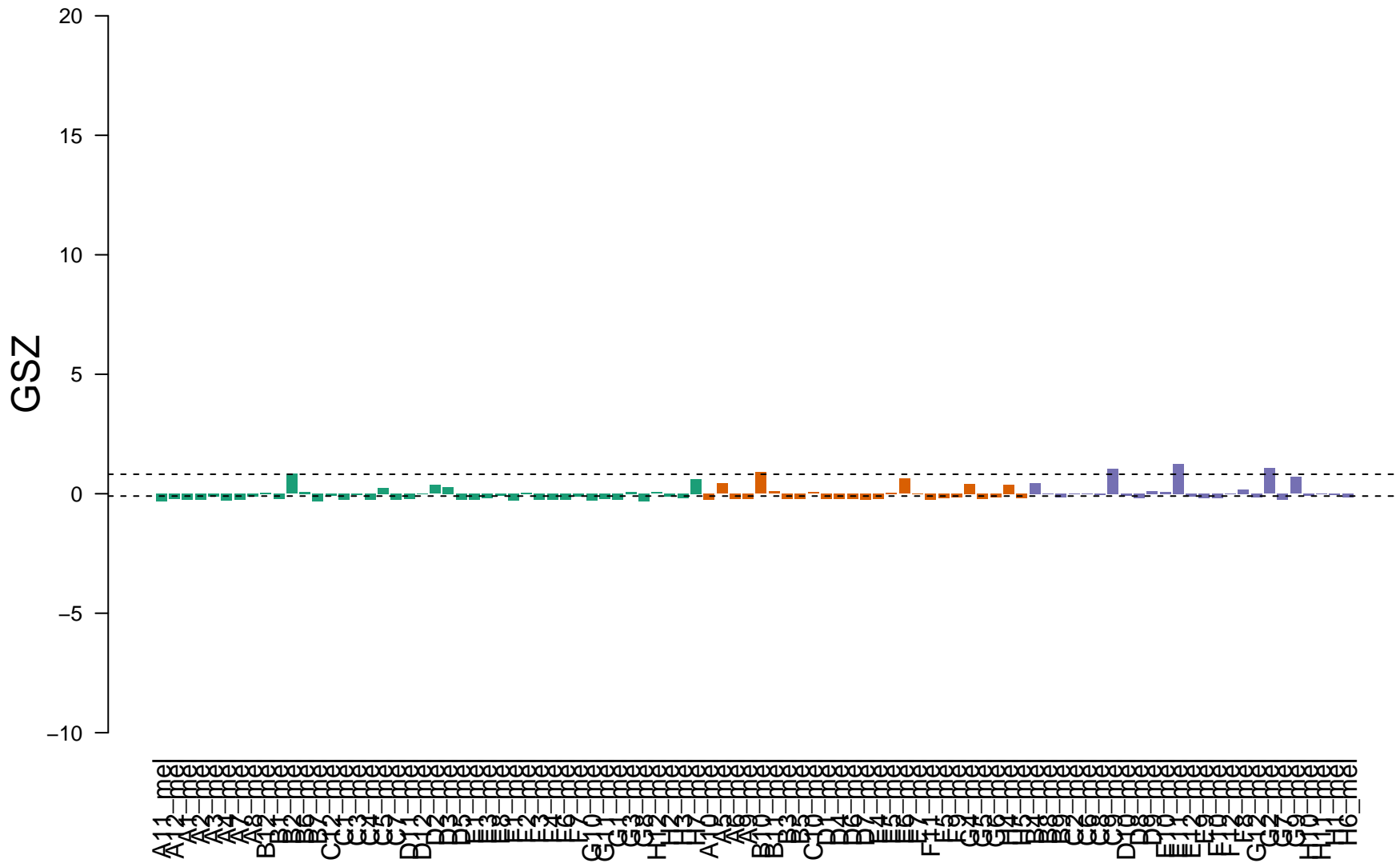


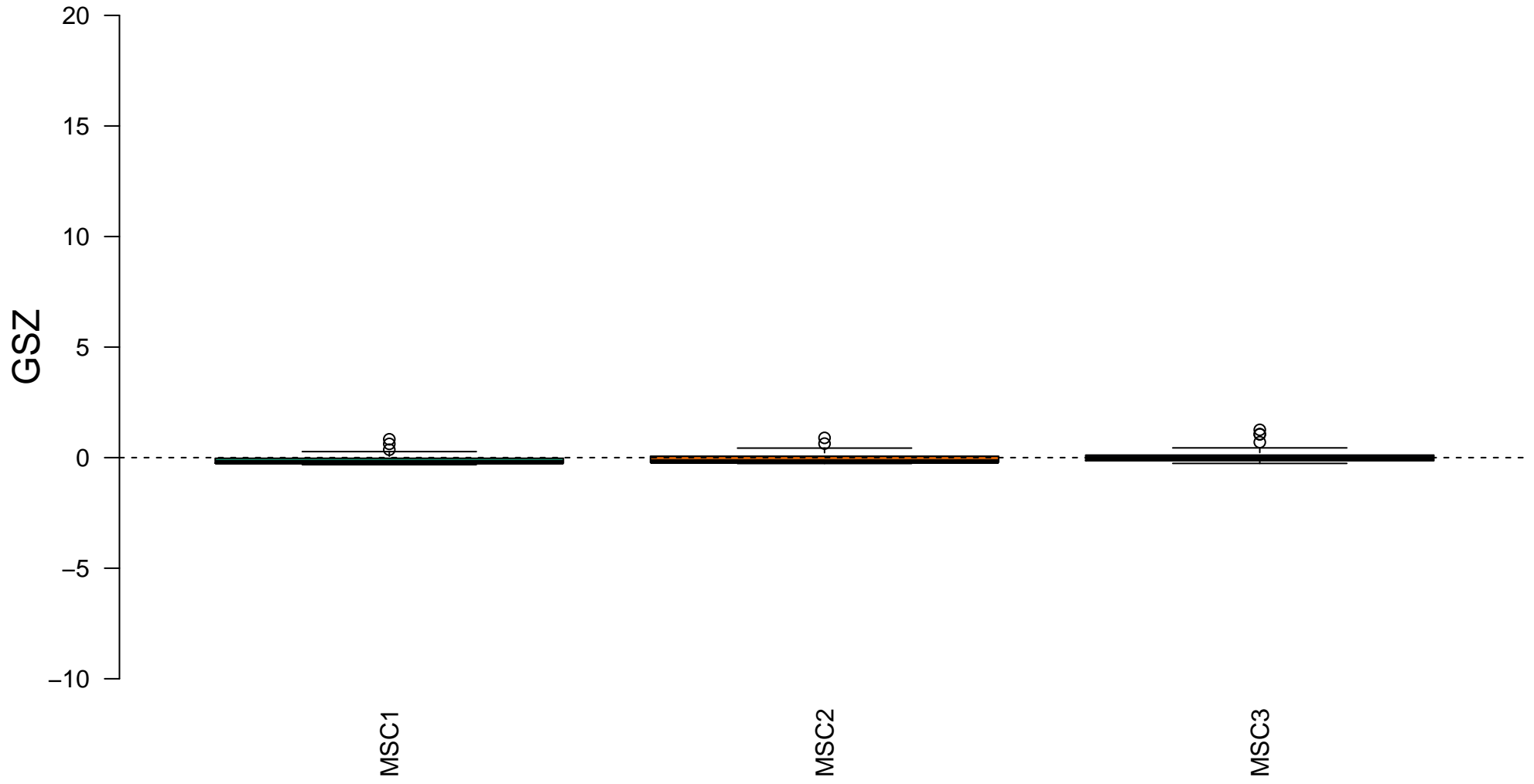
LY_AGING_MIDDLE_UP



■ on
■ -
□ off



LY_AGING_MIDDLE_UP



Enrichment in overexpression spots



Enrichment in kMeans clusters

